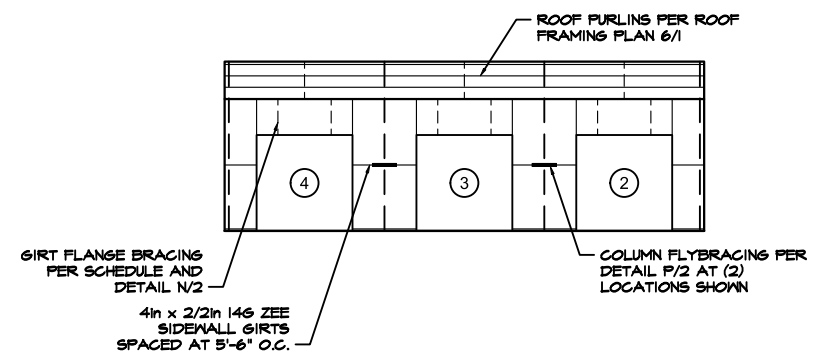
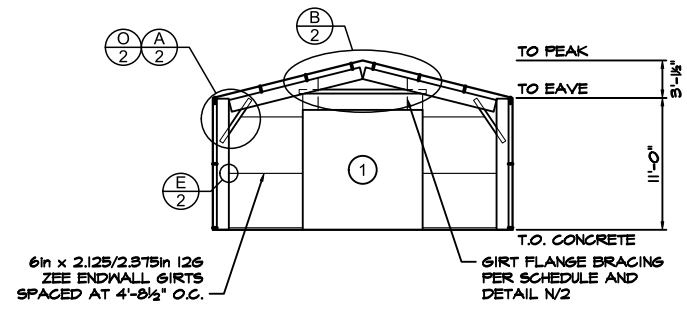


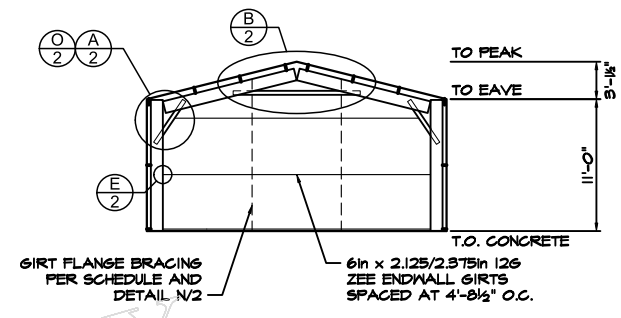
2 SIDEWALL 'A' EXTERIOR ELEVATION  
1 SCALE: 1/8" = 1'-0"



3 SIDEWALL 'B' EXTERIOR ELEVATION  
1 SCALE: 1/8" = 1'-0"



5 ENDWALL 'A' INTERIOR ELEVATION  
1 SCALE: 1/8" = 1'-0" FRAME #1



4 ENDWALL 'B' INTERIOR ELEVATION  
1 SCALE: 1/8" = 1'-0" FRAME #4

**IMPORTANT:** IN ADDITION TO THESE PLANS (WHICH ALWAYS TAKE PRECEDENCE), YOU SHOULD HAVE THE FOLLOWING FROM ACT BUILDING SYSTEMS:

- CONSTRUCTION PACKAGE
- INSTALLATION MANUALS
- CONSTRUCTION VIDEOS

PLEASE CONTACT YOUR SALES REP IF YOU HAVE NOT RECEIVED THESE PRIOR TO STARTING CONSTRUCTION.

**PROJECT DESIGN CRITERIA**

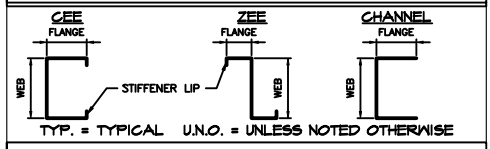
ROOF DEAD LOAD: 3 psf  
 ROOF COLLATERAL LOAD: 0 psf  
 GROUND SNOW LOAD: 50 psf Ct = 1.0  
 ROOF SNOW LOAD: 35 psf  
 ROOF LIVE LOAD: 20 psf  
 WIND SPEED: 106 mph  
 WIND EXPOSURE: C  
 Ss: 0.083 Sds: 0.084  
 S1: 0.046 Sd1: 0.074  
 SEISMIC DESIGN CATEGORY: A (for both periods)  
 R transverse: 3.0 R longitudinal: 3.0  
 RISK CATEGORY: II  
 SOIL BEARING PRESSURE: 1500 psf

WIND DESIGN OF LATERAL FORCE-RESISTING SYSTEMS IS BASED ON THE DIRECTIONAL DESIGN PROCEDURE OF ASCE 7-16, CHAPTER 27

SEISMIC DESIGN OF LATERAL FORCE-RESISTING SYSTEMS ARE AS FOLLOWS:  
 -- TRANSVERSE: ORDINARY STEEL MOMENT FRAME (SEISMIC DESIGN IS BASED ON ASCE 07-16, SECTIONS 12.1 - 12.13)  
 -- LONGITUDINAL: ORDINARY STEEL BRACED FRAME (SEISMIC DESIGN IS PERFORMED USING THE SIMPLIFIED DESIGN PROCEDURE (ASCE 07-16, SECTION 12.14).

DESIGN BASE SHEAR: IS SHOWN ON CALCULATION SHEET M2.

**COMPONENT DIAGRAM**



**WALL OPENING SCHEDULE**

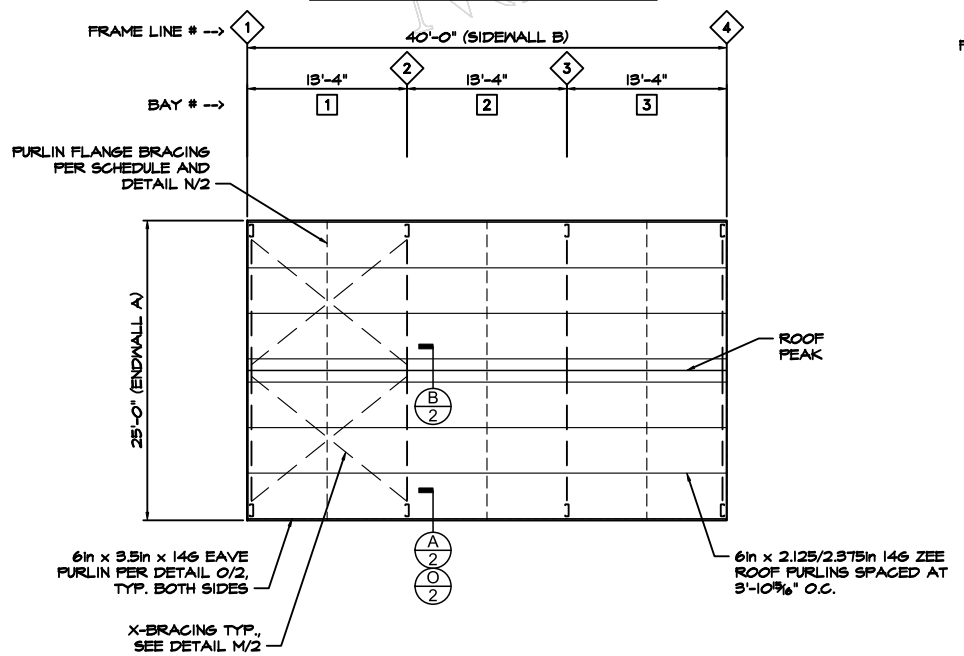
DOOR	WIDTH	HEIGHT	OPENING TYPE	HEADER GIRT	OPENING JAMBS
1	10'-0"	10'-0"	SECTIONAL DOOR	SEE NOTE #4	C6X3.5 X16
2-4	8'-0"	8'-0"	SECTIONAL DOOR	SEE NOTE #4	C4X2.5 X16

NOTES:  
 1) JAMBS MEMBERS SHOWN AS "C" ARE CEE MEMBERS WITH STIFFENER LIPS, FIRST NUMBER IS WEB DEPTH IN INCHES, SECOND NUMBER IS FLANGE WIDTH IN INCHES, AND THIRD NUMBER IS MATERIAL THICKNESS (GAUGE).  
 2) SEE DETAILS J/2 AND K/2 FOR OPENING FRAMING INFORMATION.  
 3) SIZE OF HEADER GIRT MEMBER TO BE SAME AS SIDEWALL OR ENDWALL GIRT, AS APPROPRIATE, PER ELEVATIONS. AT WINDOWS, INSTALL HEADER GIRT SPECIFIED ABOVE AND BELOW WINDOWS, U.N.O.  
 4) AT OPENINGS NOTED ATTACH DOOR JAMBS TO UNDERSIDE OF ENDWALL RAFTER OR EAVE PURLIN PER DETAIL L/2.  
 5) ALL OPENINGS AND ACCESSORIES SHALL BE CAPABLE OF SUPPORTING ALL WIND PRESSURES PERPENDICULAR TO THE SURFACE (GENERATED BY WINDS AT THE SPEED AND EXPOSURE INDICATED ABOVE) BY SPANNING BETWEEN THE JAMBS.

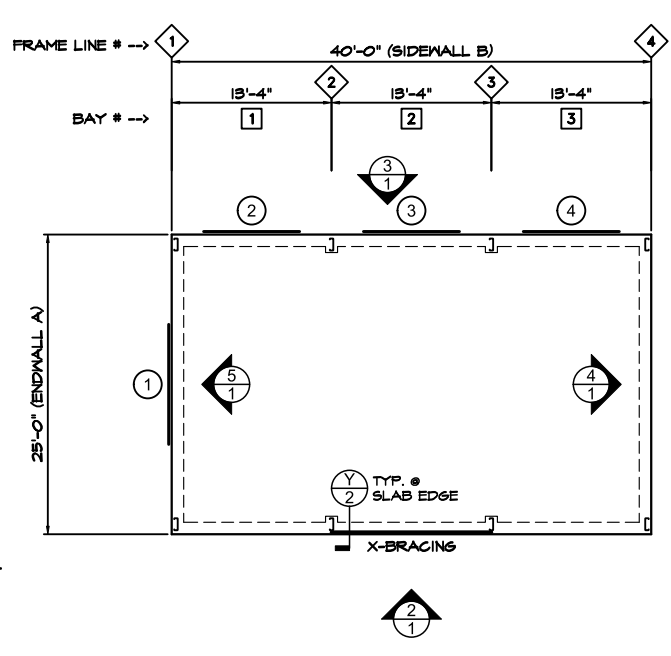
**DEFLECTION LIMITS**

FURLINS:	L/150 (STD)
GIRTS:	L/90 (STD)
EW WIND COLUMNS:	L/120 (STD)
WALL PANEL:	L/60 (STD)

**ROOF DIAPHRAGM NOTE**  
 ROOF SHEETING IS USED AS DIAPHRAGM TO BRACE THE BUILDING AND IS NOT TO BE CUT UNDER ANY CIRCUMSTANCES



6 ROOF FRAMING PLAN  
1 SCALE: 1/8" = 1'-0"



1 FOUNDATION PLAN  
1 SCALE: 1/8" = 1'-0"

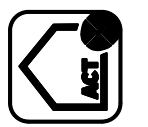
NOTE: USE 1/2" X 3" DEWALT 'SCREW-BOLT' ANCHOR IN 3/2" DEEP HOLES AT ANCHOR LOCATIONS PER BASE DETAIL F/2, INSTALLED PER ICC REPORT ESR-3089, SECTION 4.3.

NOTE: SEE "TYP. FRAME CROSS-SECTION" DETAIL ON SHEET 2 FOR SPECIFIC FRAME DETAIL INFORMATION.

NOTE: EXCEPT AT DOOR OPENINGS, INSTALL L4x2x1/8 ANGLE TO FOUNDATION (FOR ATTACHMENT OF BOTTOM OF WALL SIDING) WITH 1/4in X 1 1/4in NAIL DRIVE MASONRY ANCHOR ANCHORS AT 48" O.C. (6" MAX. FROM ANY END).

PRELIMINARY ONLY FOR CONSTRUCTION

PRELIMINARY ONLY NOT FOR CONSTRUCTION



ACT BUILDING SYSTEMS

DISTRIBUTOR: Toro Steel Buildings  
 JOB NAME: Toro Steel Buildings  
 JOB ADDRESS: 801 Broadway ave nw Grand Rapids, MI 49504

DRAWN  
 CHECKED  
 DATE: 6/18/2024  
 JOB NO.: VNUJ97237062

SHEET 1 OF 1