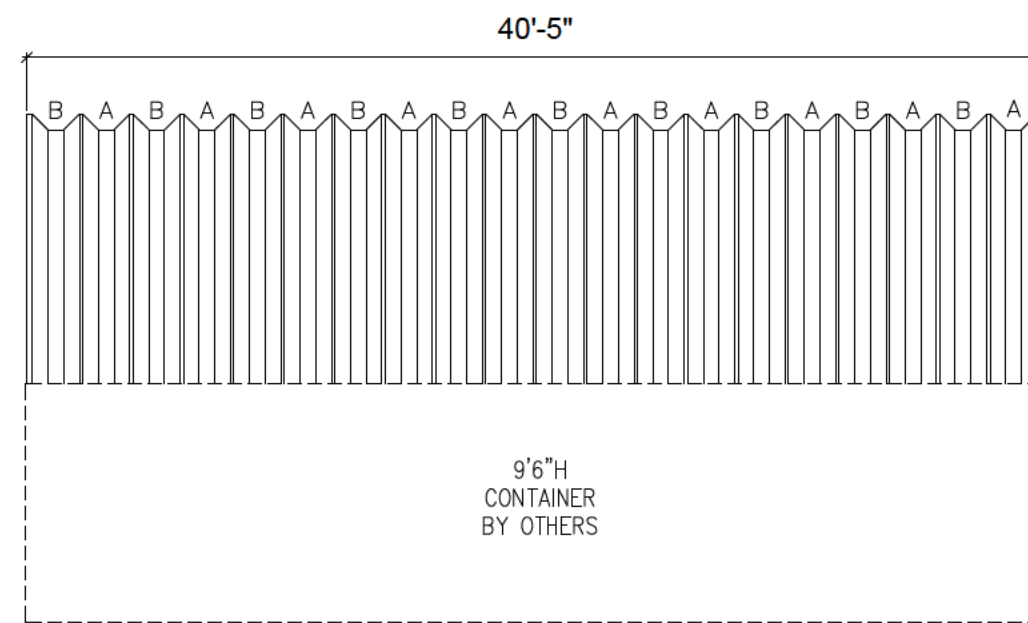
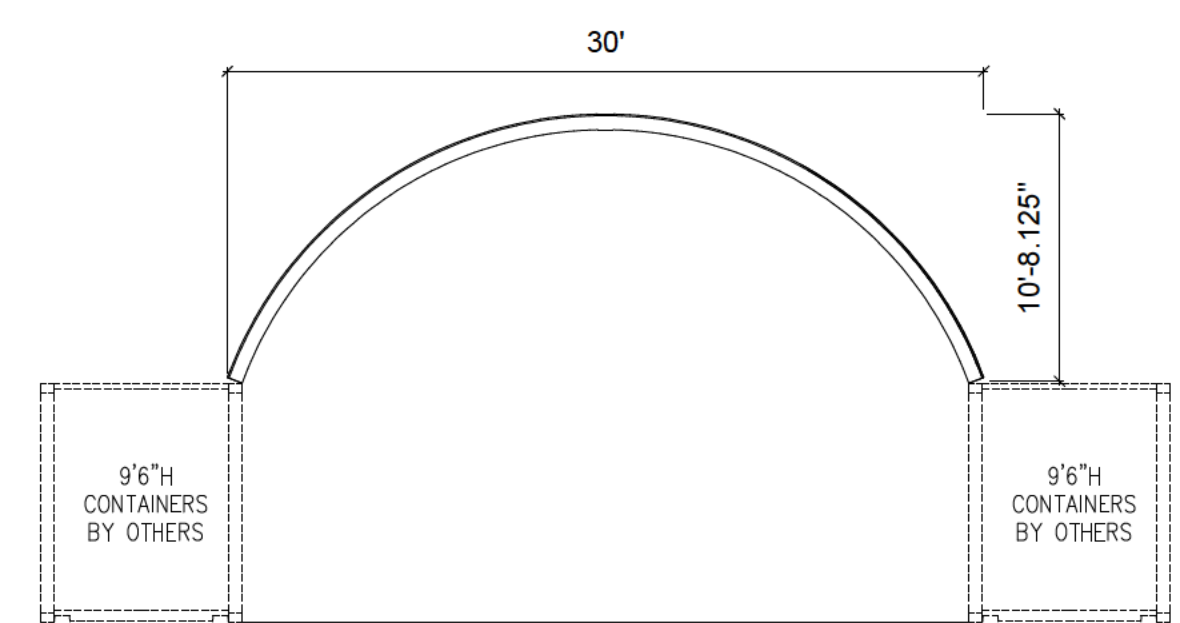


1 REAR ELEVATION

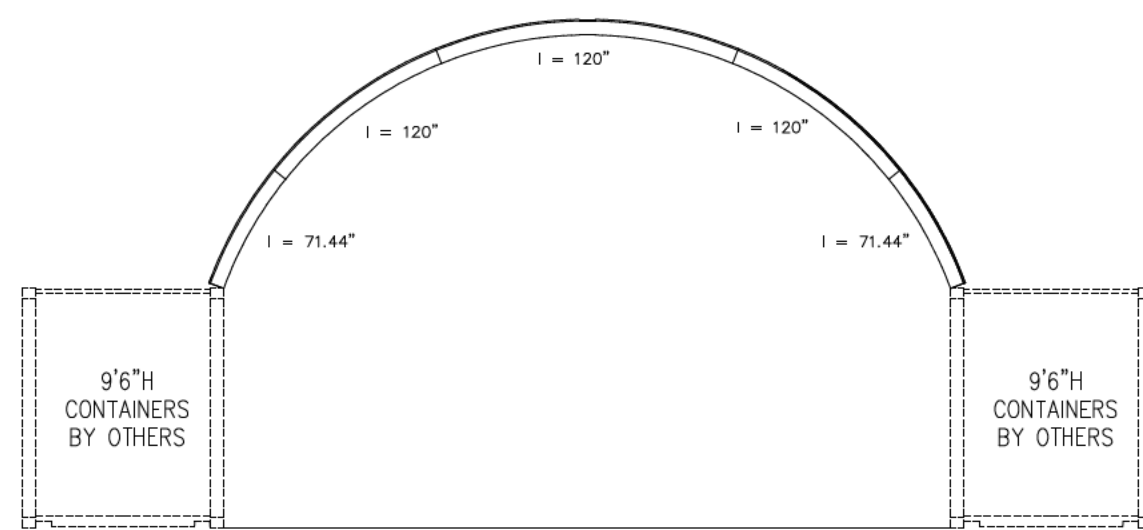


NOTE: Arch sequence must follow pattern shown above.

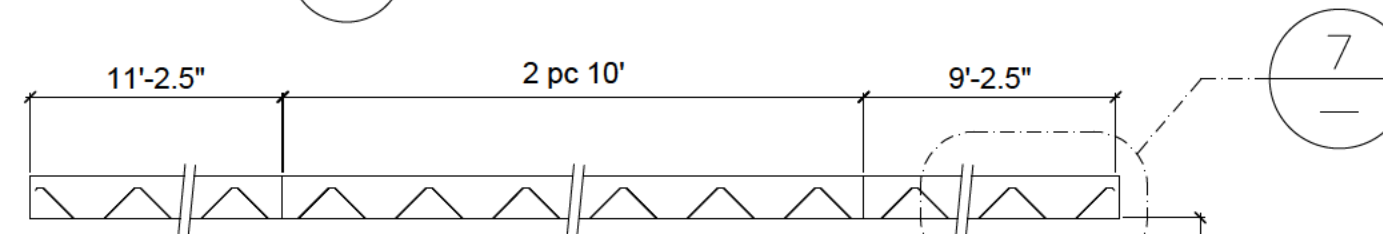
2 SIDE ELEVATION



3 FRONT ELEVATION

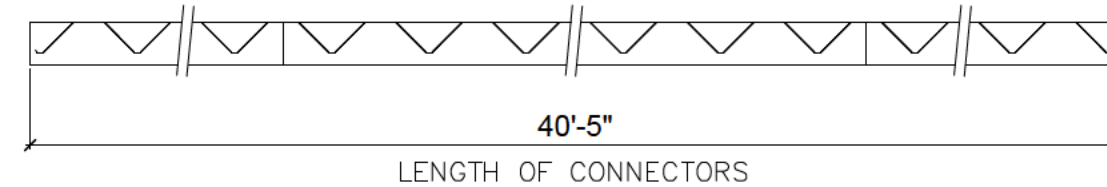


4 ARCH PROFILE

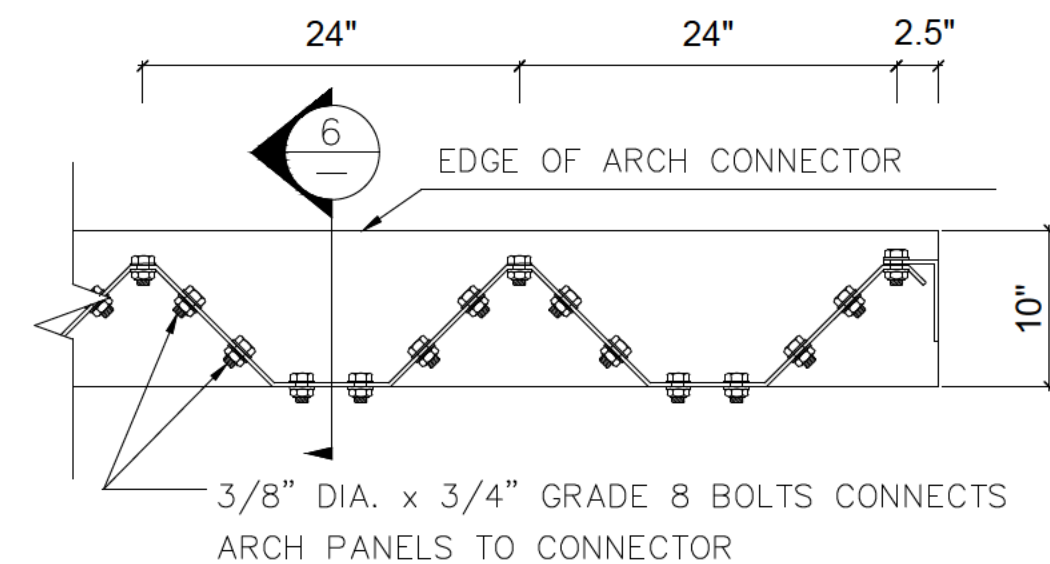


NOTE: BASEPLATE CONNECTORS TO HAVE NO LIP OR HOLES

INSIDE TO INSIDE OF CONNECTORS
28'-9.9375"

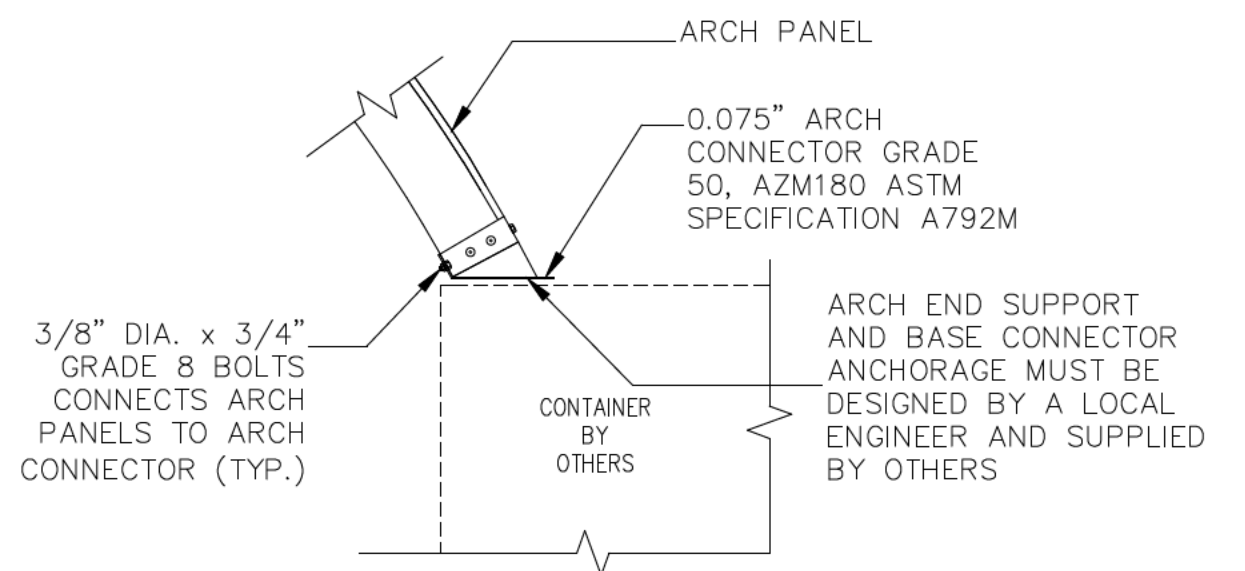


5 CUSTOM CONNECTOR LAYOUT



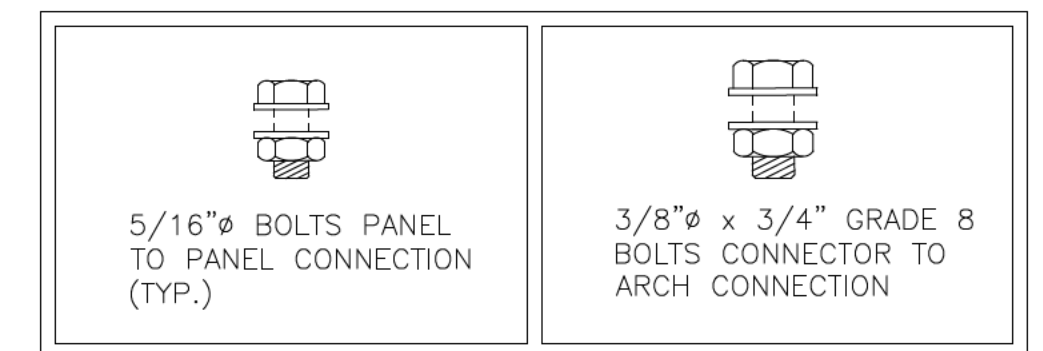
BASEPLATE CONNECTORS TO HAVE NO LIP/HOLES

7 CORNER DETAIL



6 ARCH BASE/ CONNECTOR DETAIL

UNFACTORED ARCH REACTIONS PER ARCH END		
LOAD TYPE	Rh (lbs/ft)	Rv (lbs/ft)
DEAD LOAD		
LIVE LOAD		
SNOW LOAD		
EXTERNAL WIND		
INTERNAL WIND PRESSURE		



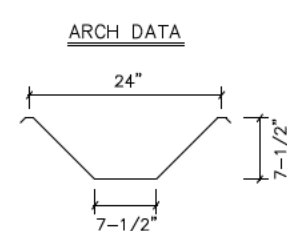
8 BOLT DATA

GENERAL NOTES

- ALL MATERIAL AND WORKMANSHIP SHALL CONFORM WITH THE REQUIREMENTS OF THE LATEST REVISION OF THE NATIONAL BUILDING CODE 2015. DESIGN ACCORDING TO CSA STANDARD CAN/CAS S136-16W/S1-19 NORTH AMERICAN. SPECIFICATION FOR THE DESIGN OF COLD FORMED STEEL STRUCTURAL MEMBERS. (APPENDIX B)
- NO LOADS OTHER THAN THOSE GIVEN UNDER "DESIGN DATA" BEHIND SHALL BE IMPOSED ON THE "STRUCTURE".
- SPECIFIC NOTES AND DETAILS SHOWN ON THE DRAWINGS SHALL TAKE PRECEDENCE OVER THE BUILDING MANUAL SUPPLIED.

- THE BUILDING, INCLUDING THE FOUNDATION, MUST BE CONSTRUCTED IN STRICT ACCORDANCE WITH THE DRAWING AND ERECTION INSTRUCTIONS. ANY DEVIATION, UNLESS APPROVED BY US IN WRITING, SHALL NULLIFY OUR CERTIFICATE AND SEAL AND SHALL BE THE SOLE RESPONSIBILITY OF THE ERECTOR.
- A PROFESSIONAL ENGINEER SHOULD BE RETAINED WHERE SITE INSPECTIONS ARE WARRANTED.
- NO ARCH PANEL MAY BE CUT OR MODIFIED UNLESS IT IS TO ACCOMMODATE AN ACCESSORY PROVIDED BY THE MANUFACTURER IN ACCORDANCE WITH ITS INSTRUCTIONS AND/OR THIS DRAWING.
- MINIMUM SEPARATION FROM THIS BUILDING TO ANY TALLER BUILDING MUST BE THE SMALLER OF 20 FEET AND 6 TIMES THE HEIGHT DIFFERENCE.
- IF SEALED BY AN ENGINEER, THIS DRAWING IS FOR PERMIT APPLICATION. OTHERWISE IT IS A DRAFT AND NOT FOR CONSTRUCTION.

- THE ANCHORAGE & STRUCTURAL SUPPORT FOR OUR ROOF SYSTEM, THE ANCHORAGE OF THE CONTAINER TO A BASE AND ITSELF MUST BE DESIGNED BY A LOCAL ENGINEER BASED ON THE ARCH REACTIONS, SITE CONDITIONS AND BUILDING CODE REQUIREMENTS & SUPPLIED BY OTHERS.
- OUR DESIGN IS LIMITED TO OUR ROOF SYSTEM ITSELF ONLY AND CONDITIONAL ON PROPER LEVEL SUPPORT & ANCHORAGE BY OTHERS.



BOLTS: SAE GRADE 2 OR ASTM A307
Arch A: 10 Arches
ROOF STEEL THICKNESS = 0.04"
Arch B: 10 Arches
ROOF STEEL THICKNESS = 0.03"

GALVALUME SHEET STEEL:
STRUCTURAL QUALITY ASTM SPECIFICATION A792M
55% ALUMINUM-ZINC ALLOY (HOT DIP COATING)
345 MPa MINIMUM YIELD
450 MPa MINIMUM TENSILE
OTHER SECTIONS SHALL CONFORM TO:
ASTM A36 (Fy = 250 MPa)

ENGINEERS SEAL:

LEGAL NOTE

This drawing is the property of Future Steel Buildings Intl. Corp. Any duplication of this drawing in whole or in part is strictly forbidden. Anyone doing so will be prosecuted to the full extent of the law.

FUTURE STEEL BUILDINGS
220 CHRYSLER DR., BRAMPTON, ONTARIO, CANADA (905) 790-8500
SCALE: N.T.S. APPROVED BY: P.G. CHECKED BY: L.T. DATE: AUGUST 24, 2024